

# 10/100 BASE-T SINGLE PORT SURFACE MOUNT MAGNETICS

With Various Turns Ratios

Features :

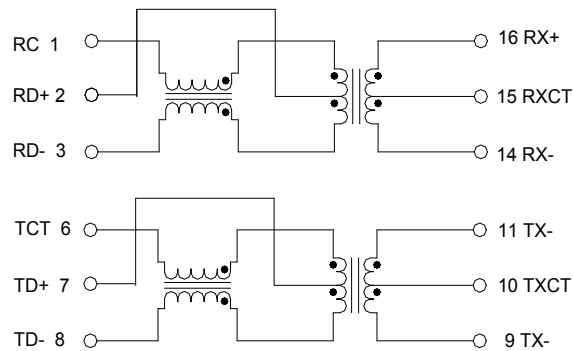
- 1) Meets IEEE 802.3 and ANSI X3.263 standards, including 350μH OCL with 8mA DC bias .
- 2) Designed for reflow soldering at peak temperatures 245°C.
- 3) Meets RoHS specified in the RoHS directive.
- 4) Compact footprint for use in the most space-restrictive applications

## FW-3380SD

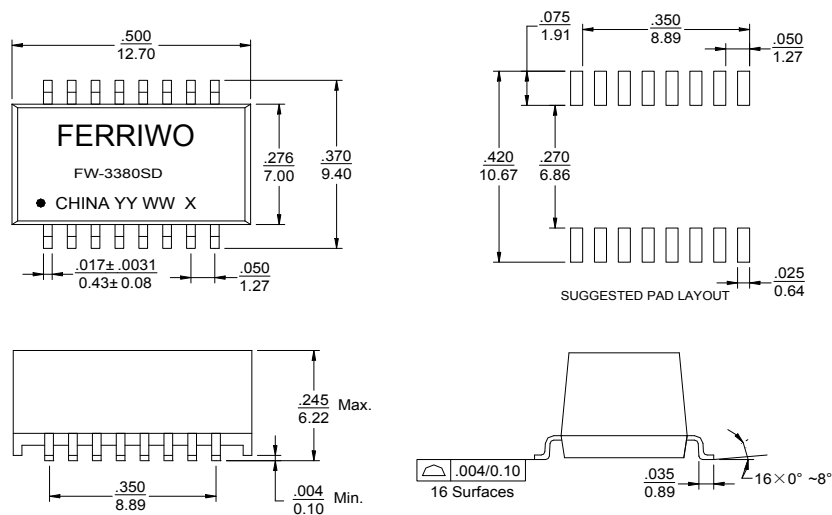
A) Electrical Specifications @ 25°C --- Operating temperature 0°C To 70°C .

Turns Ratio		Insertion Loss (dB)	Return Loss (dB TYP)			Differential to Common Mode Rejection (dB TYP)			Crosstalk (dB TYP)			Hi-Pot Vrms Min.
TX	RX		30MHz	60MHz	80MHz	30MHz	50MHz	100MHz	30MHz	60MHz	100MHz	
1:1	1:1	-1.1	-20	-14	-11	-42	-37	-33	-45	-40	-35	1500

B) Schematics



C) Mechanical Dimensions ( Unit: mm )



Unless otherwise specified, all tolerances are ± 0.25